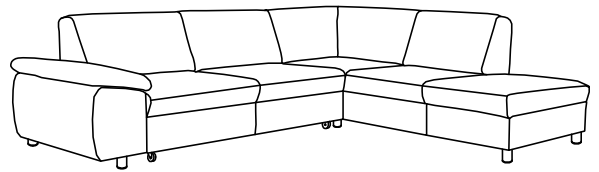
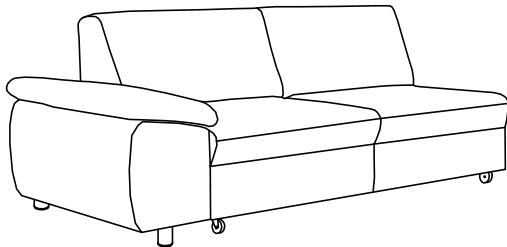
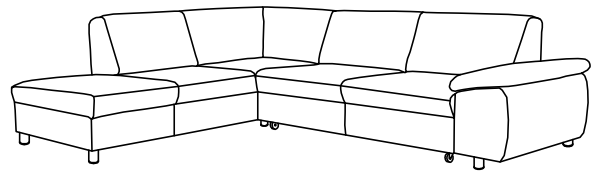


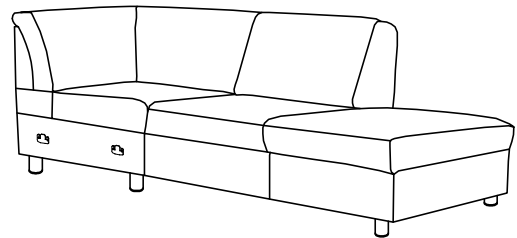
VERSION - R



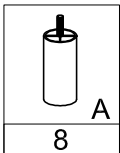
VERSION - L



2FBL

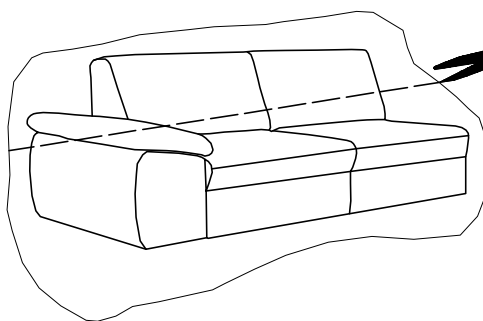


OSP



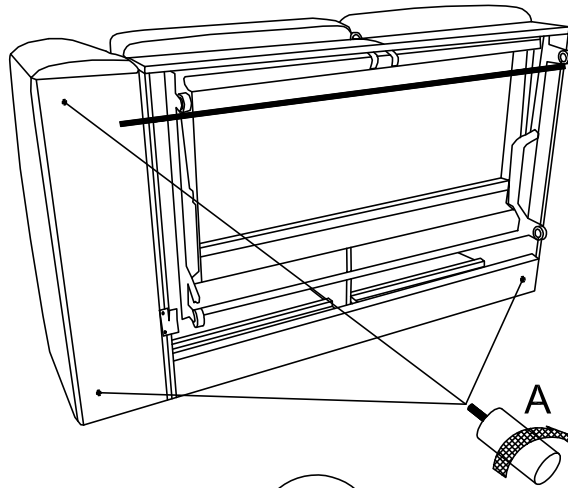
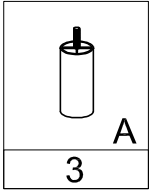
1

2FBL



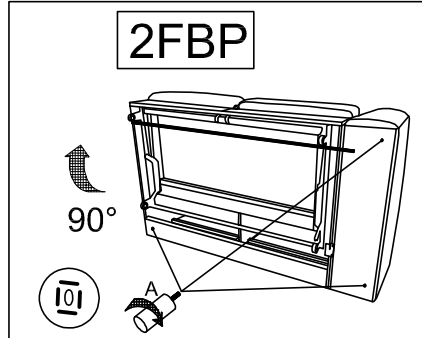
2

2FBL



90°

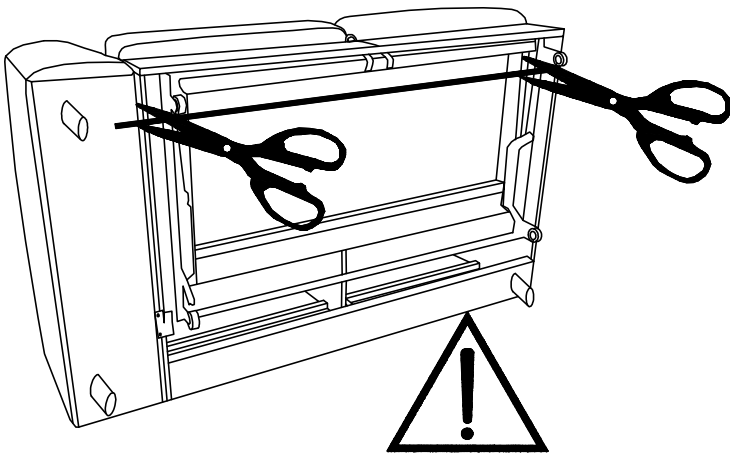
2FBP



90°

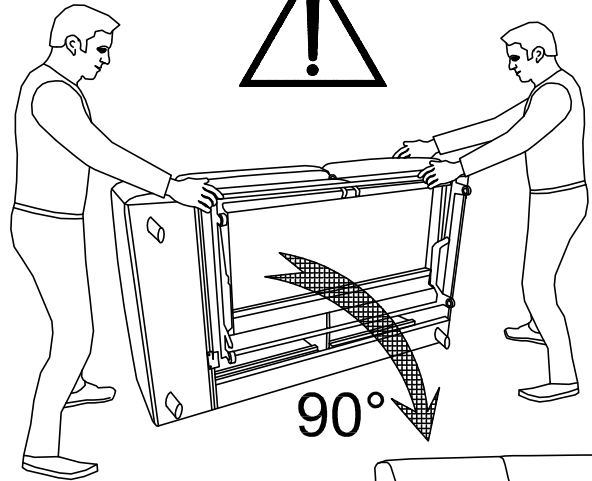
3

2FBL

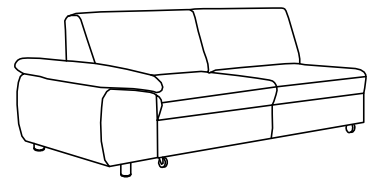


4

2FBL

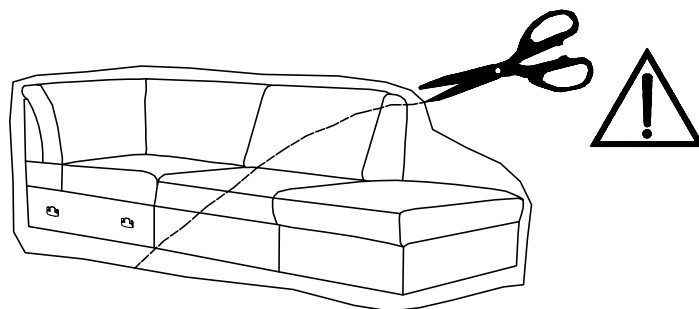


90°



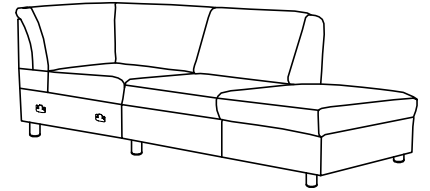
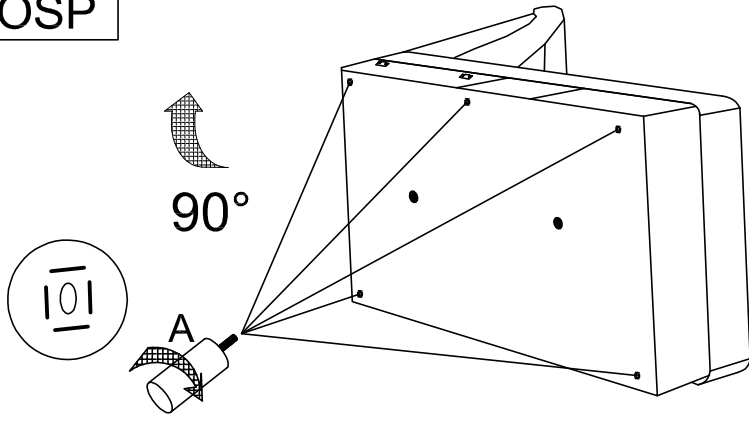
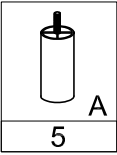
5

OSP

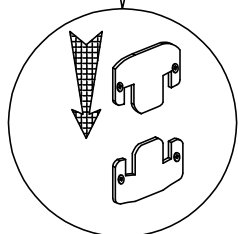
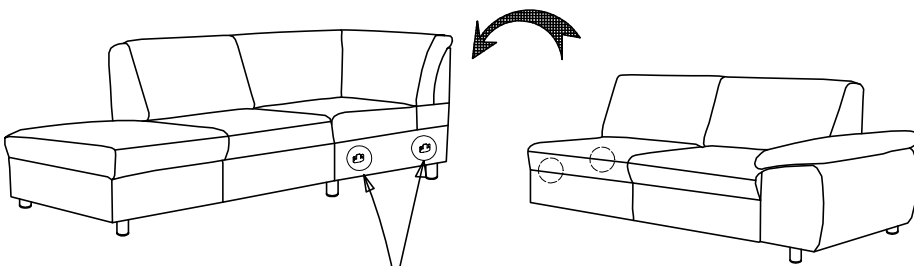
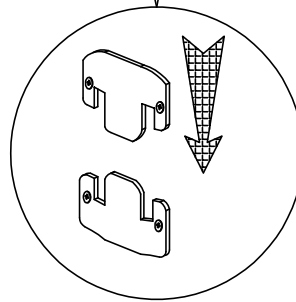
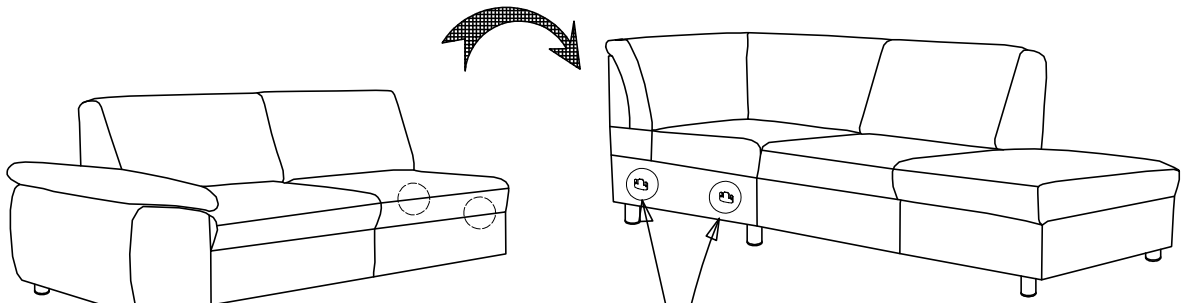


6

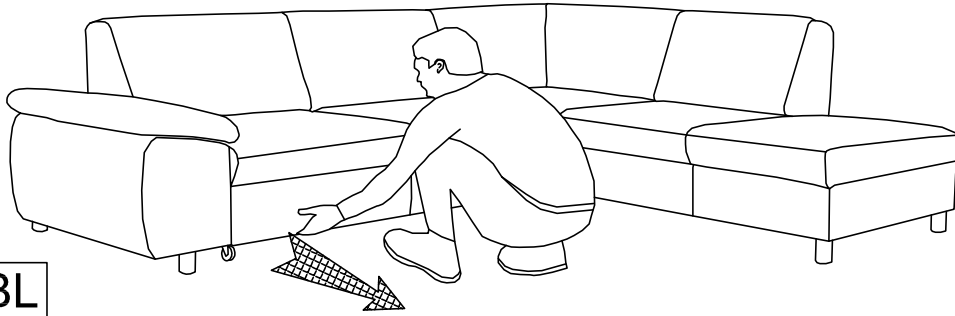
OSP



7

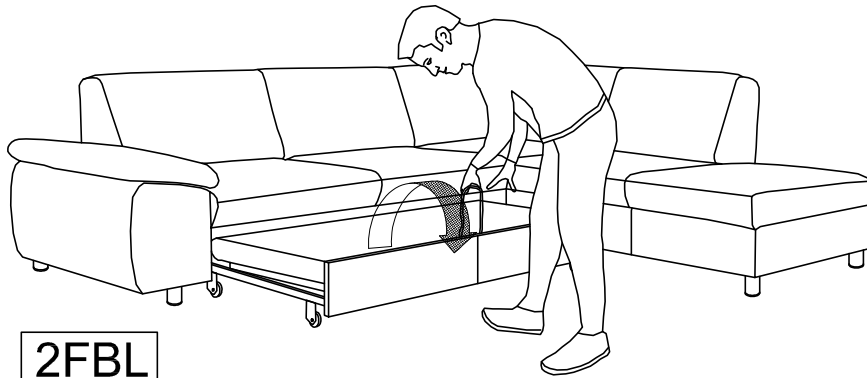


8

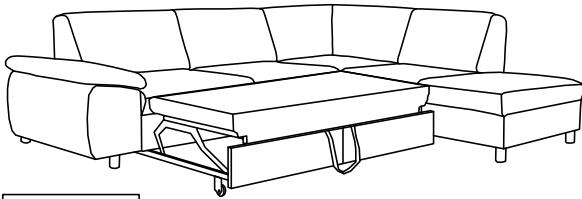


2FBL

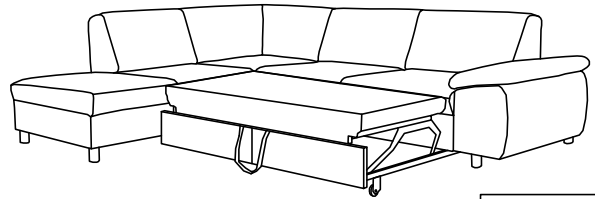
9



2FBL

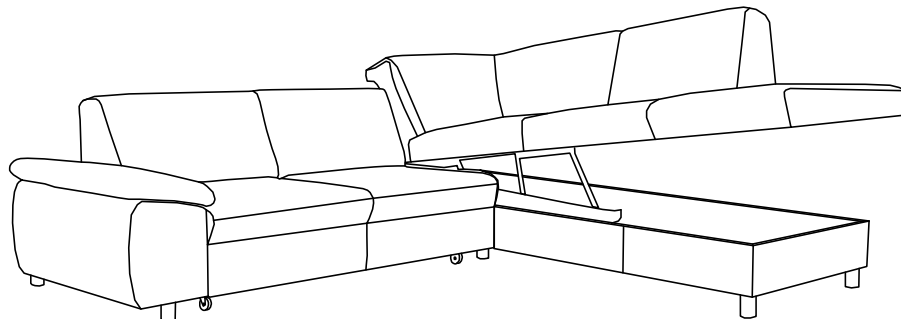


2FBL

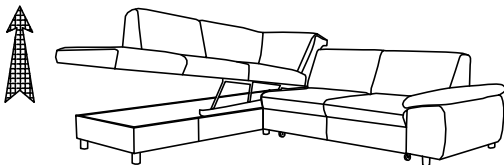


2FBP

10



OSP



OSL