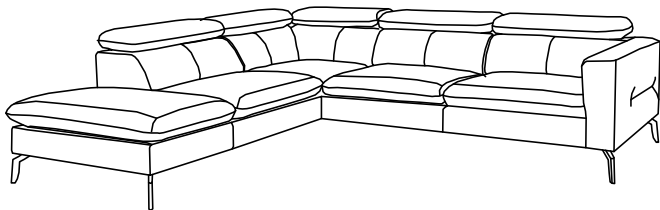
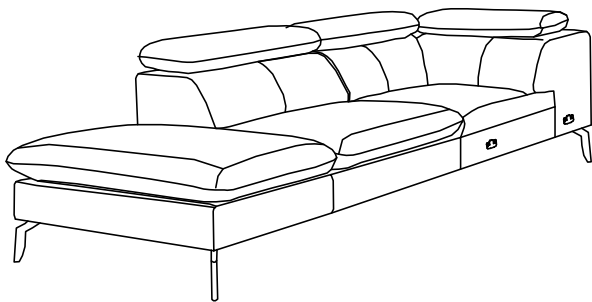
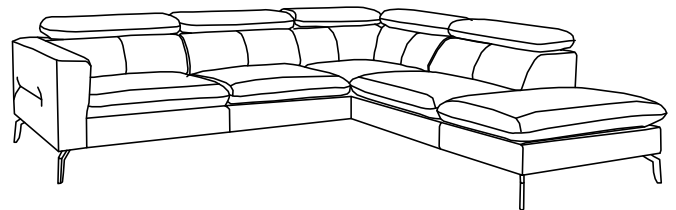


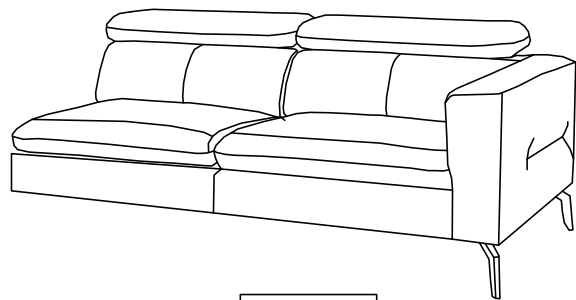
VERSION - L





VERSION - R



OL



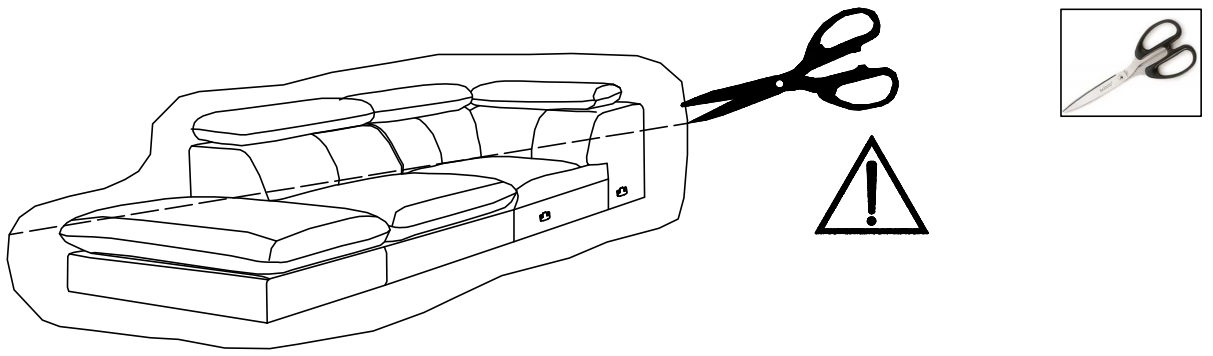
2,5BP

	M6.0x40mm	
A	B	C
6	24	3



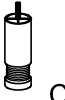


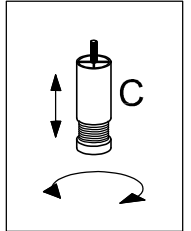
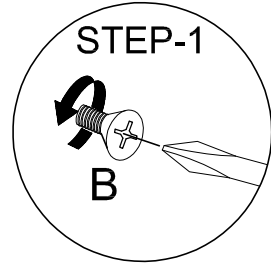
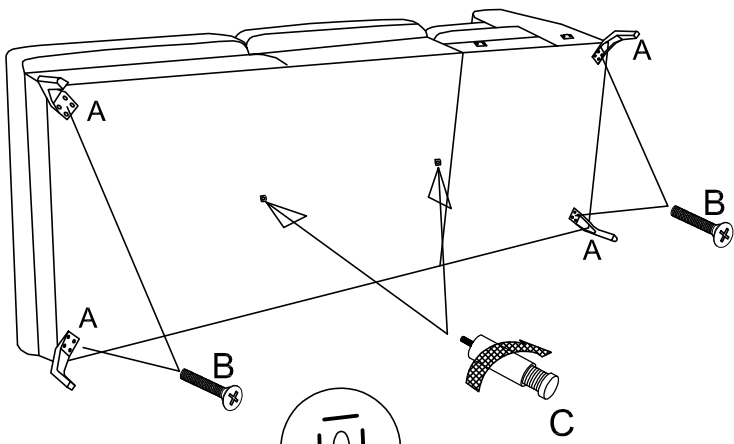
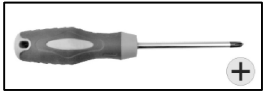
1

OL

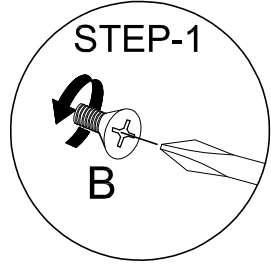
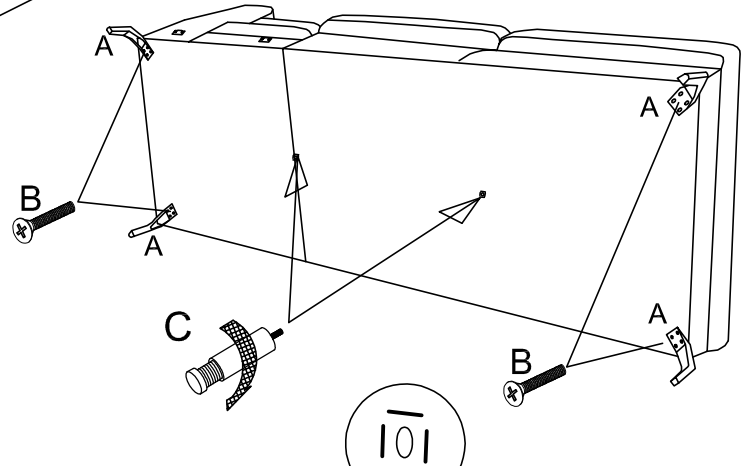
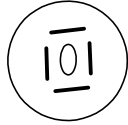


2

	M6.0x40mm		
A		B	C
4		16	2

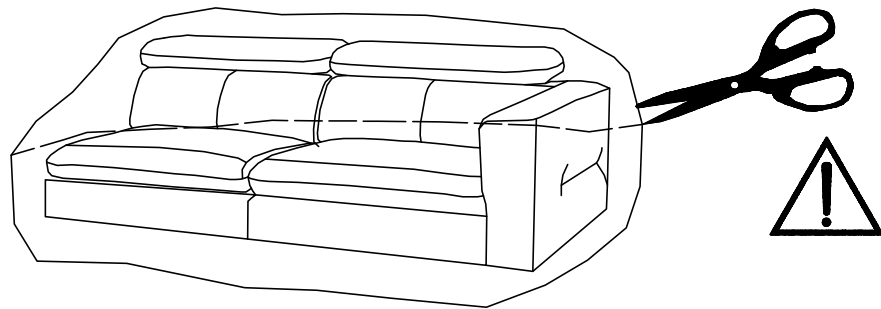


OL





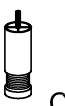
OP

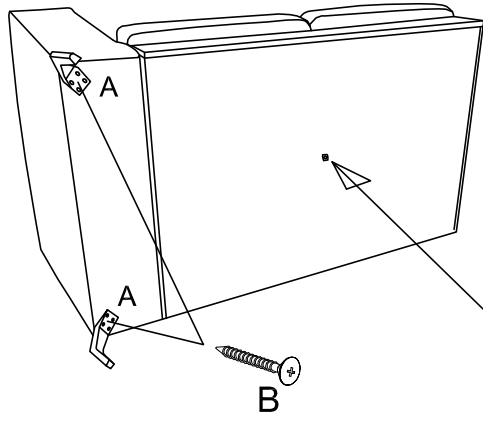
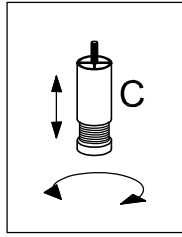
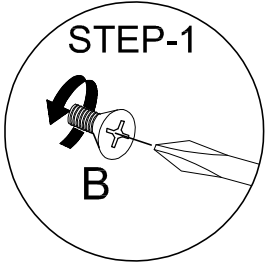
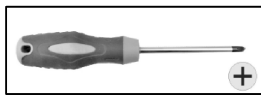
3



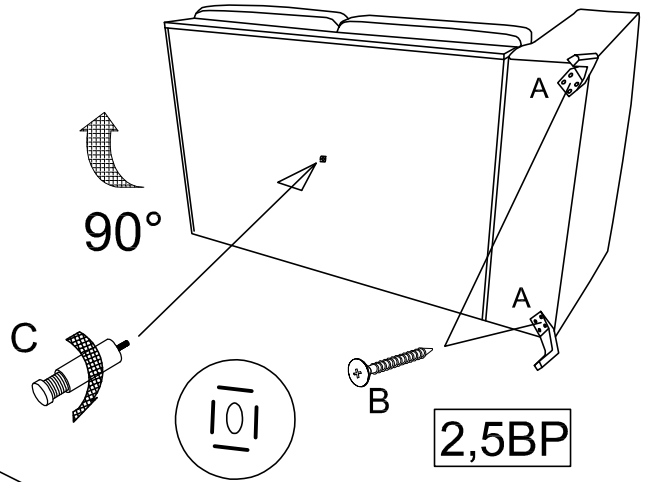
2,5BP

4

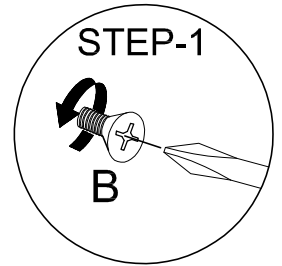
	M6,0x40mm		
A		B	C
2		8	1



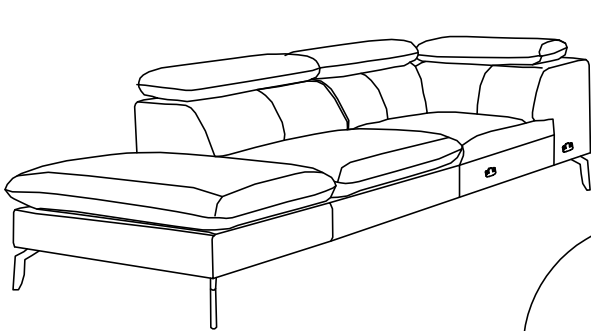
2,5BL



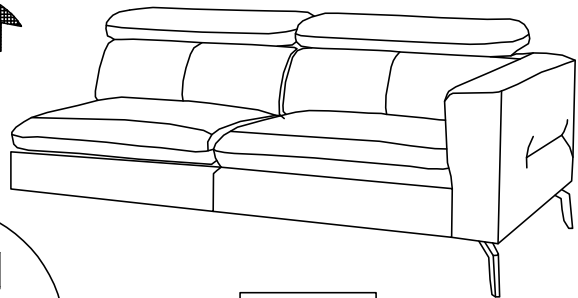
2,5BP



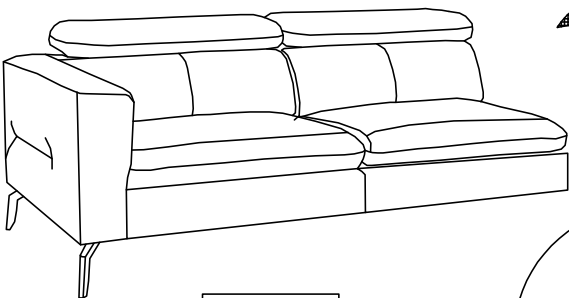
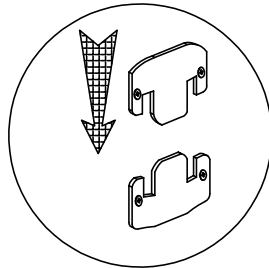
5



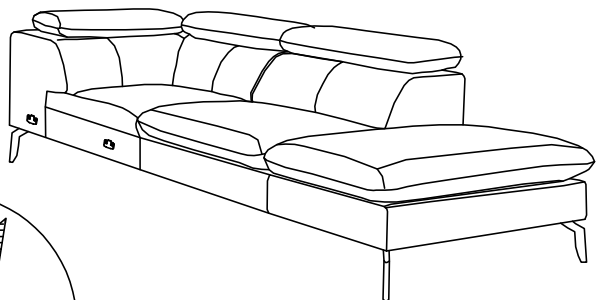
OL



2,5BP



2,5BL



OP

