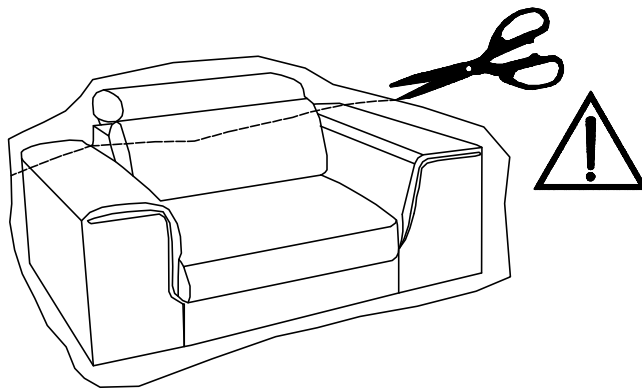


M6.0x25mm		
A	B	C
8	4	2



1



2

M6.0x25mm	
A	C
8	2
B	
4	

