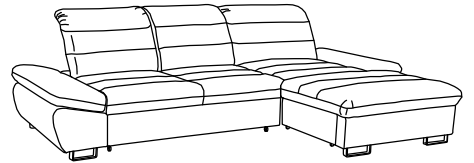
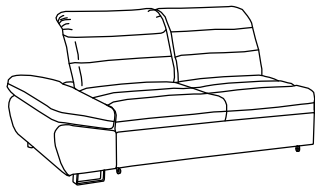


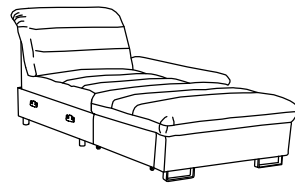
VERSION - R



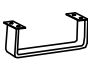



VERSION - L



3FBL



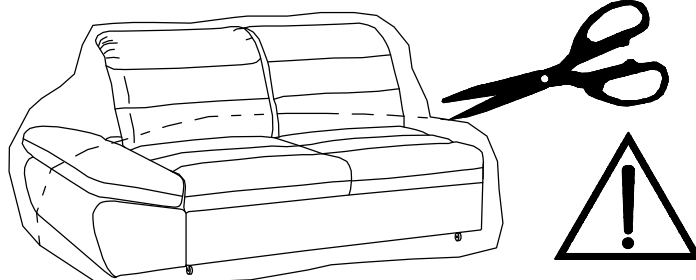
OSBP

 A	M6.0x40mm  B	 C	M6.0x60mm  D
3	12	5	5



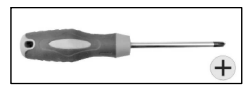
1

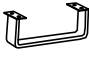

3FBL

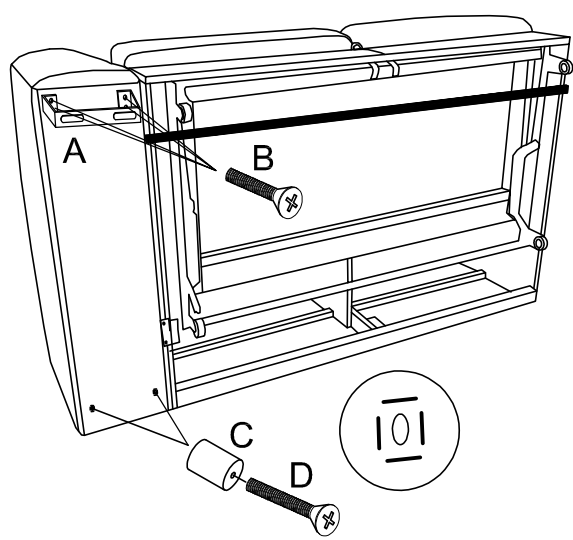


2

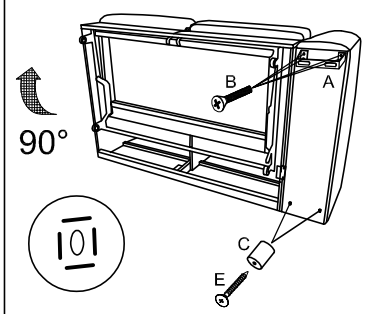
3FBL



	M6.0x40mm
A	B
1	4
	M6.0x60mm
C	D
2	2

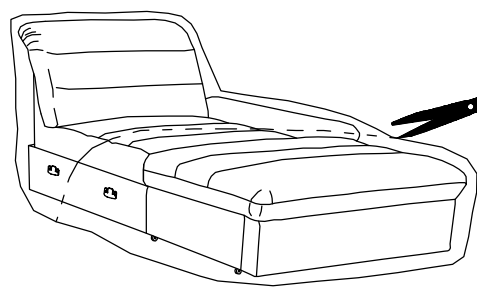


3FBP



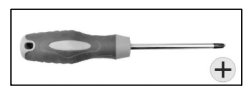
3

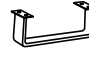

OSBP

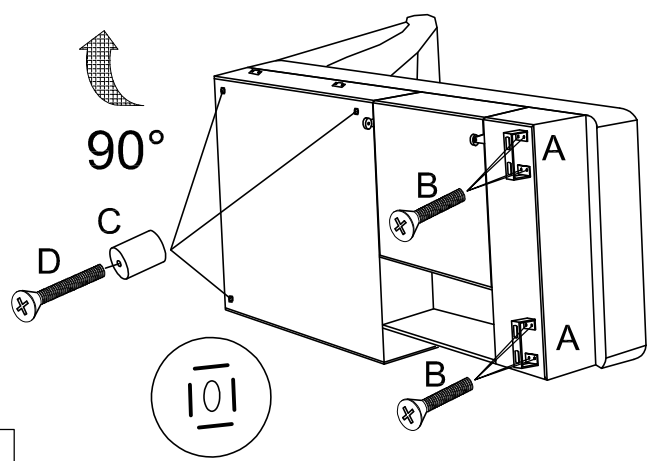


4

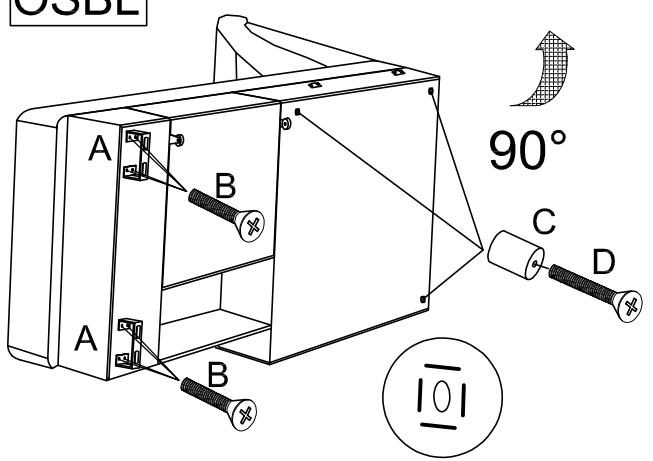
OSBP



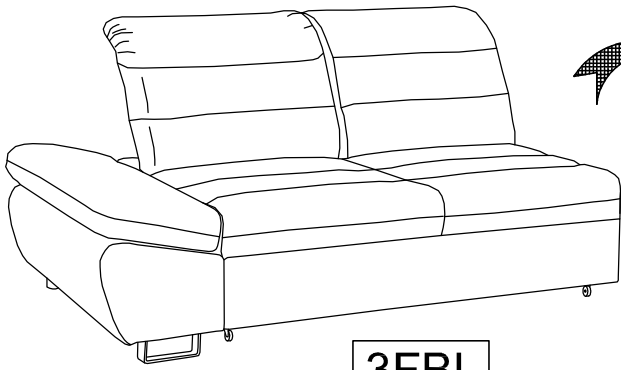
	M6.0x40mm
A	B
2	8
	M6.0x60mm
C	D
3	3



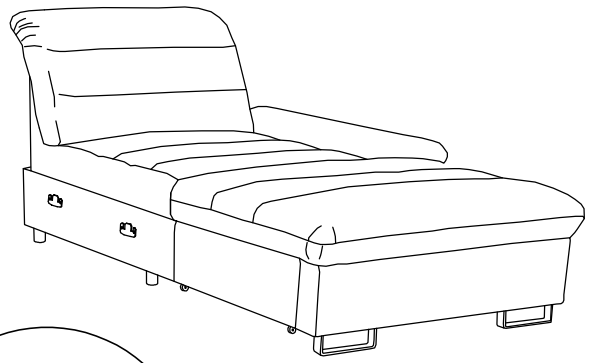
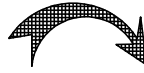
OSBL



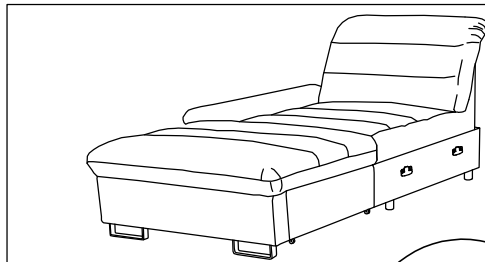
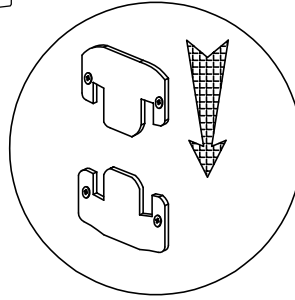
5



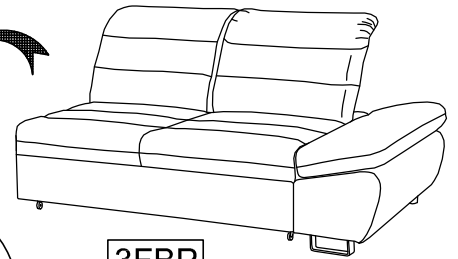
3FBL



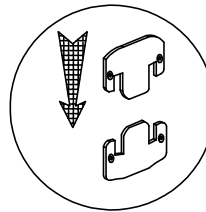
OSBP



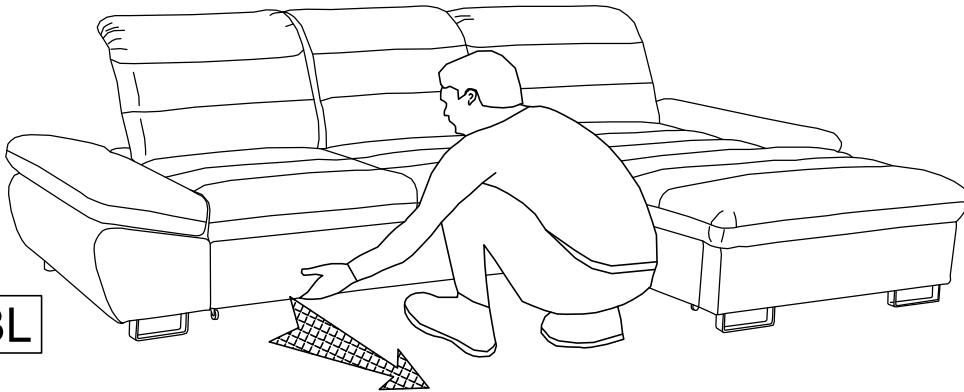
OSBL



3FBP

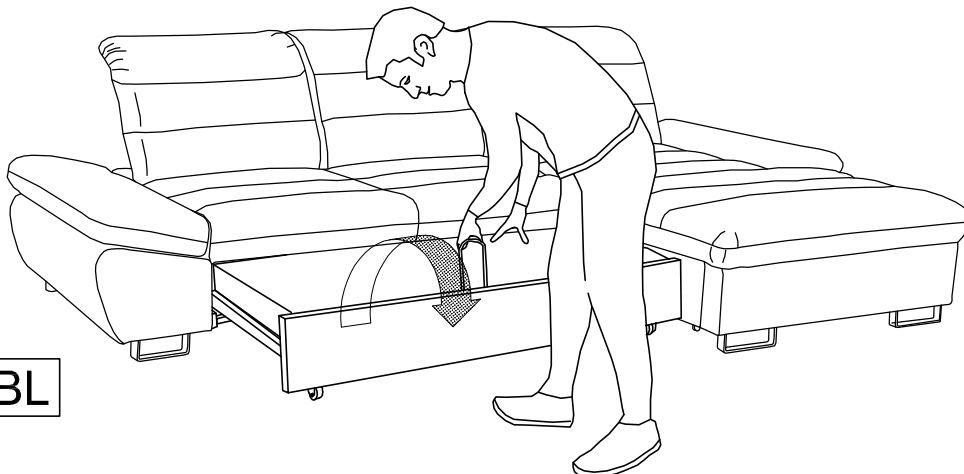


6



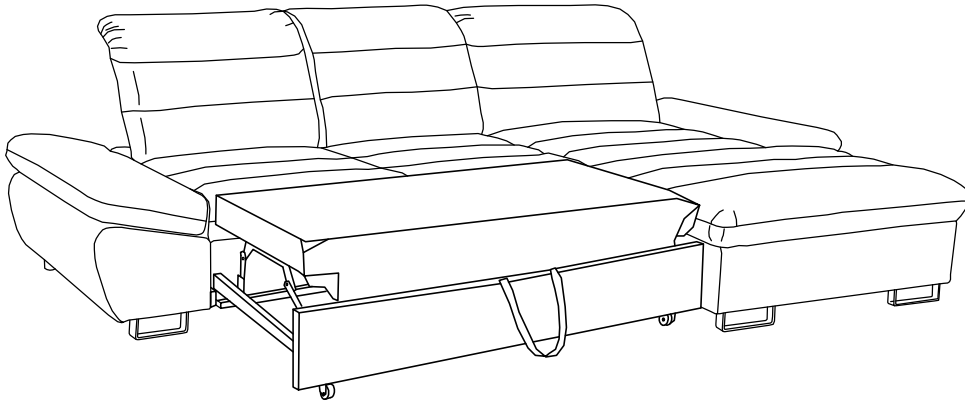
3FBL

7

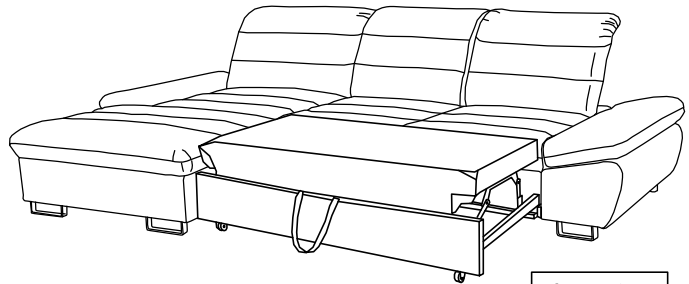


3FBL

8

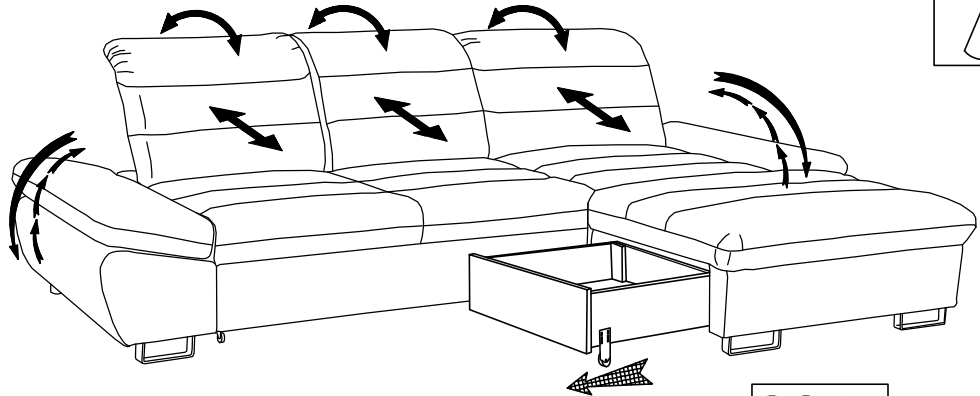


3FBL

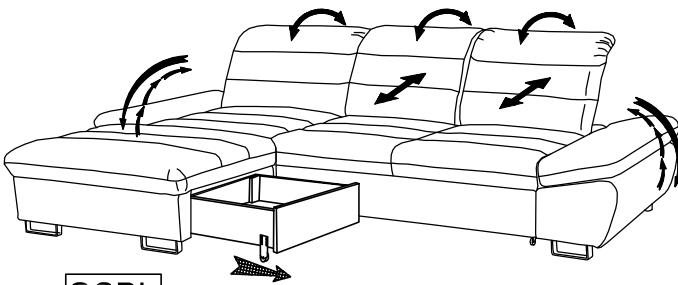


3FBP

9



OSBP



OSBL