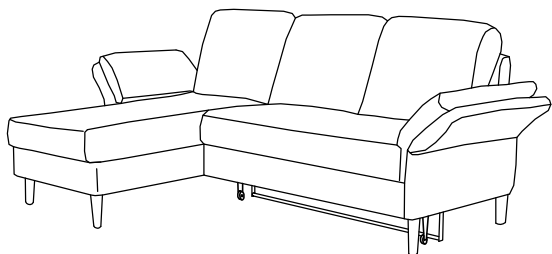
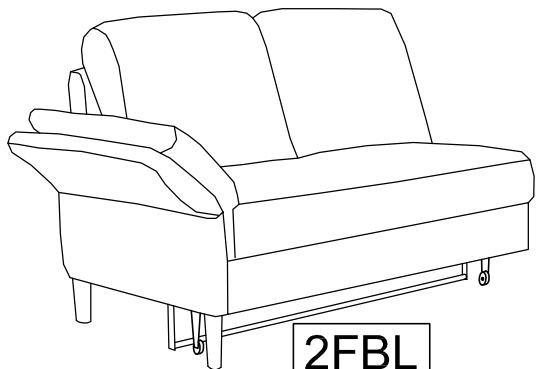
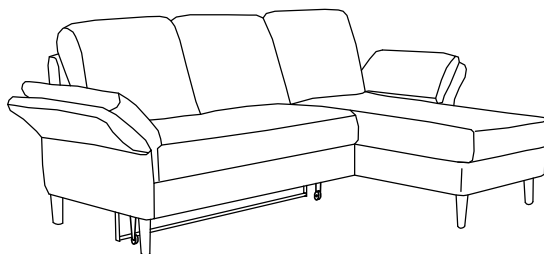


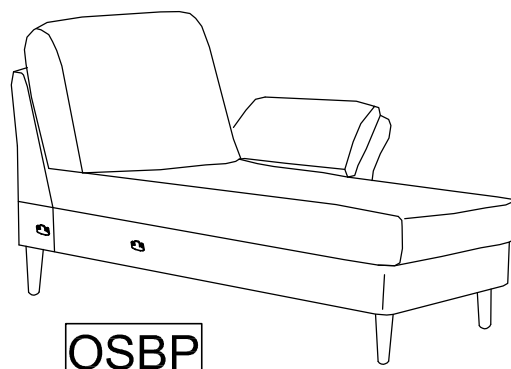
VERSION - L



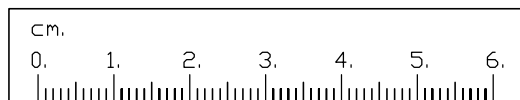
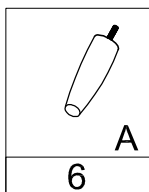
VERSION - R



2FBL

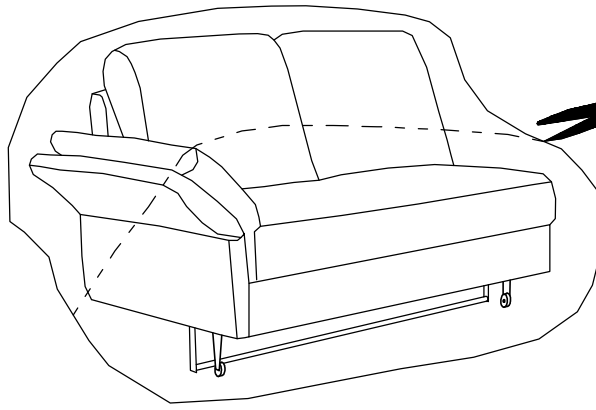


OSBP



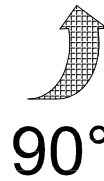
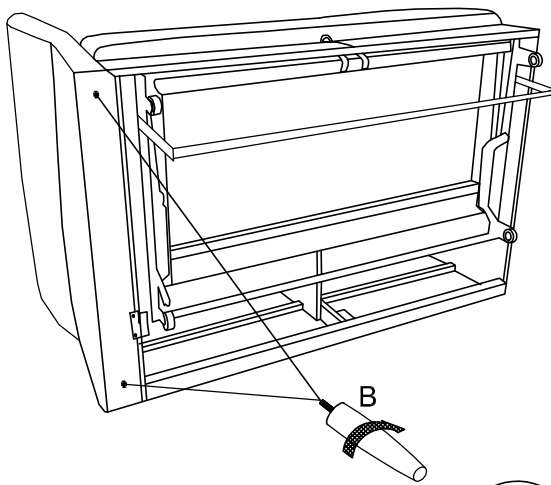
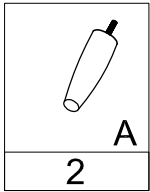
1

2FBL

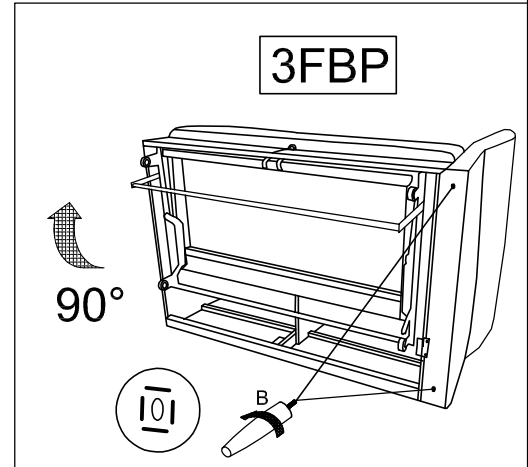
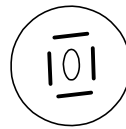


2

2FBL



90°



3FBP

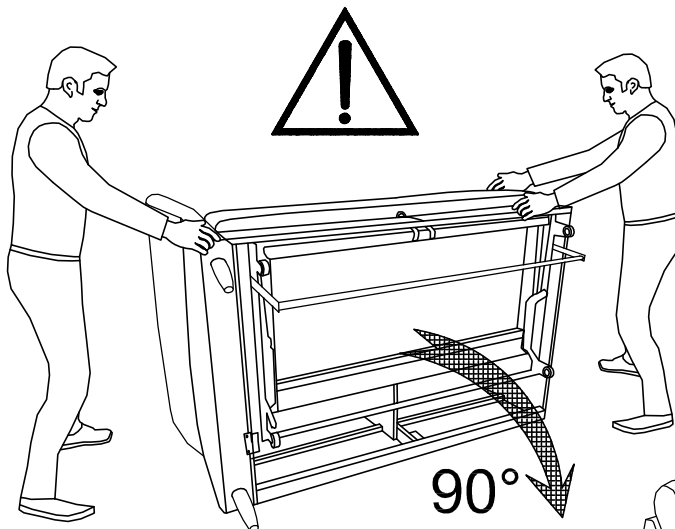


90°

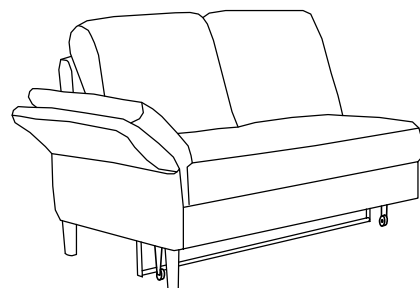


3

2FBL

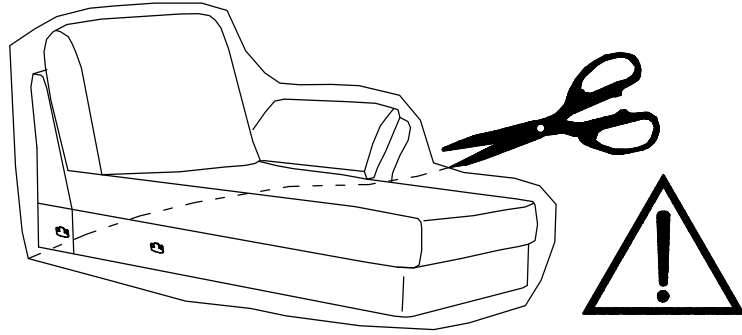


90°



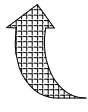
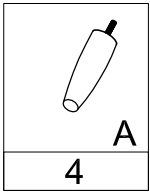
4

OSBP

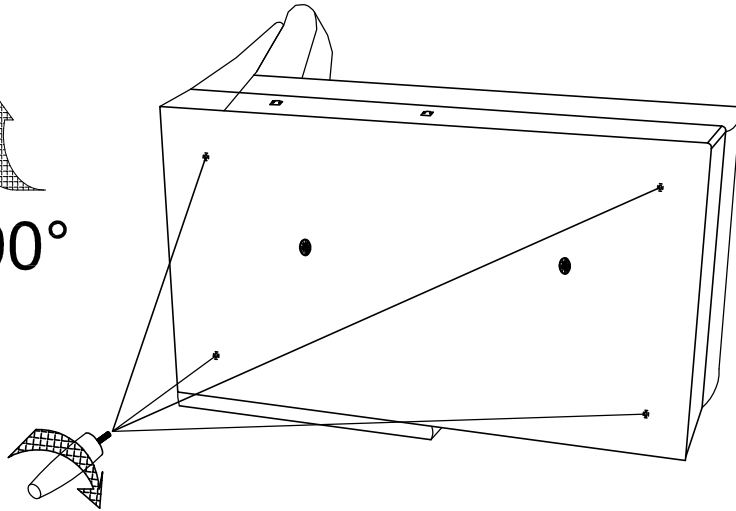


5

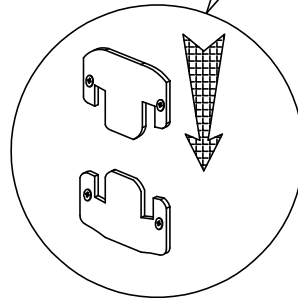
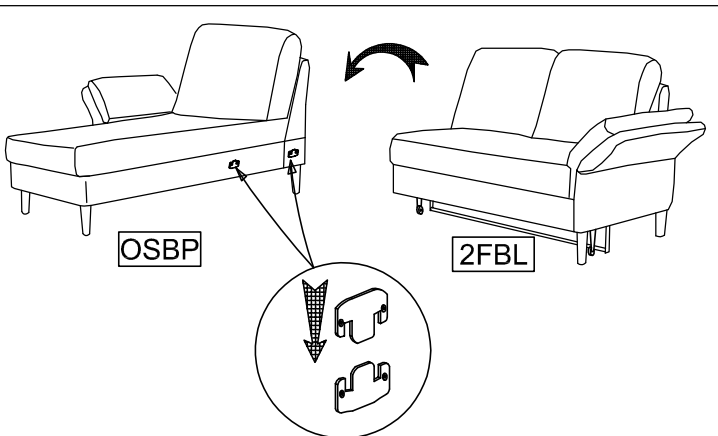
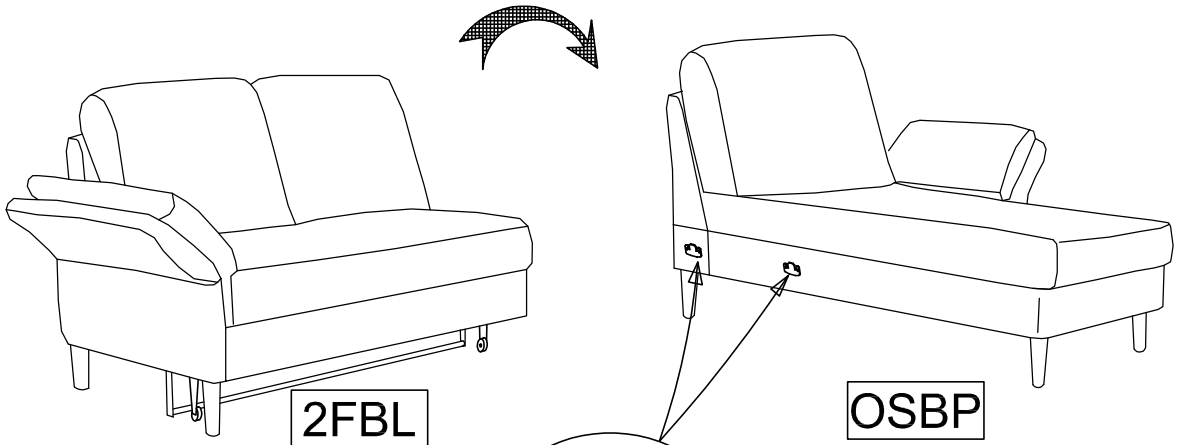
OSBP



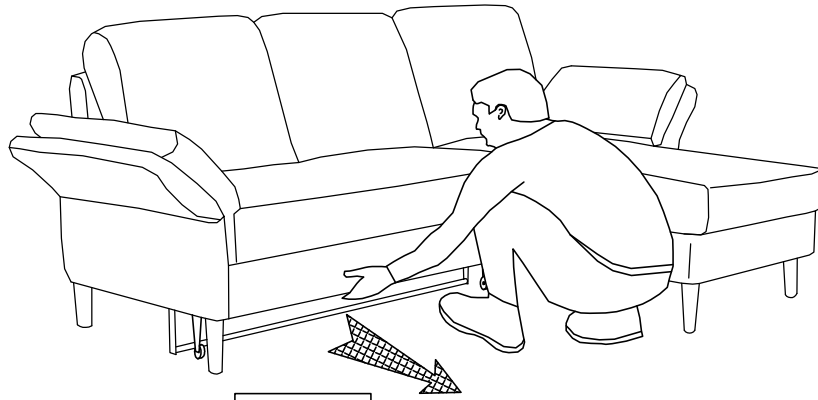
90°



6

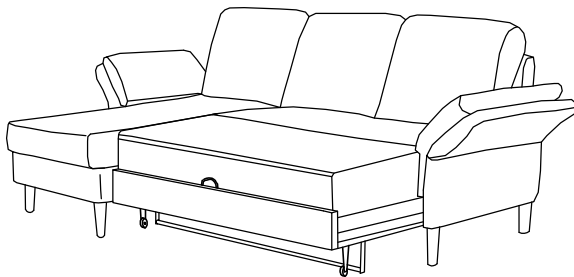
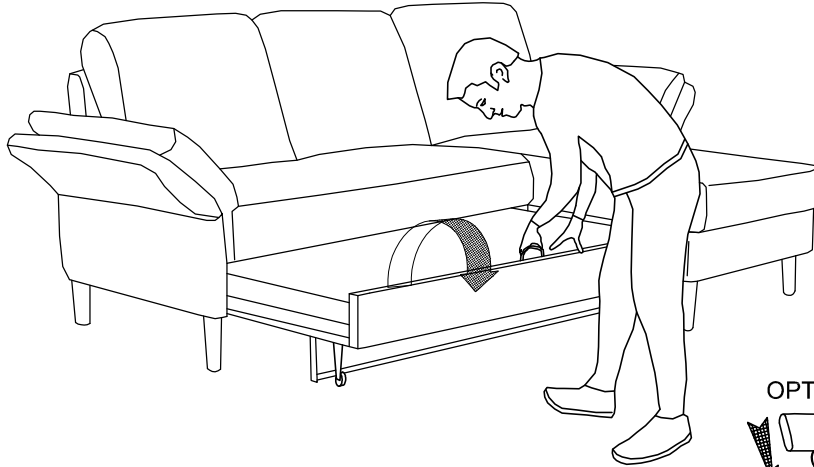


7

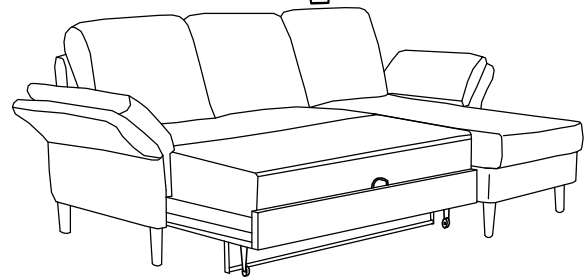


2FBL

8

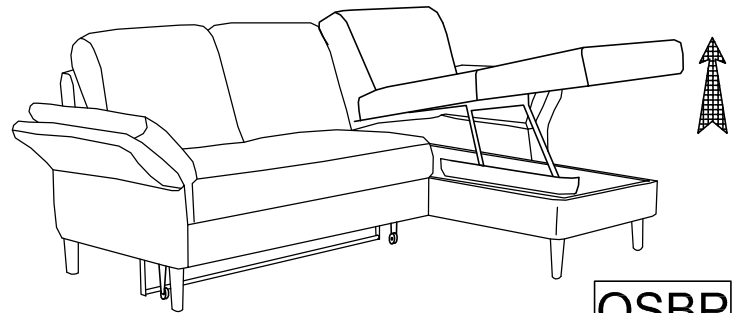


2FBP

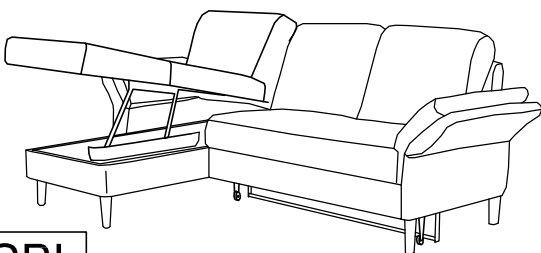


2FBL

9



OSBP



OSBL