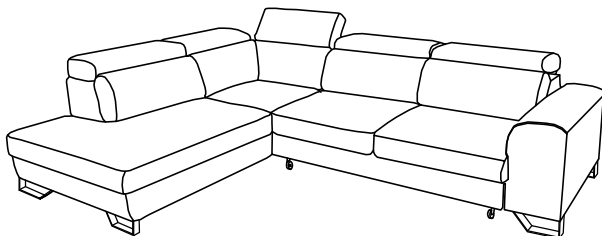
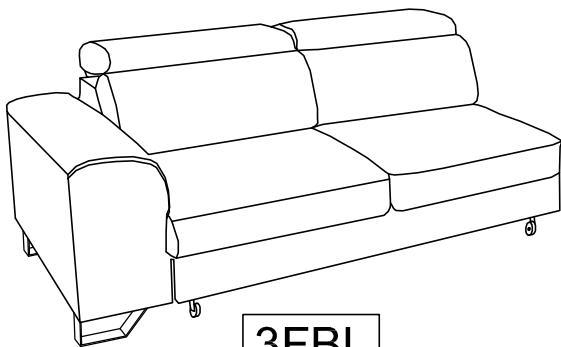
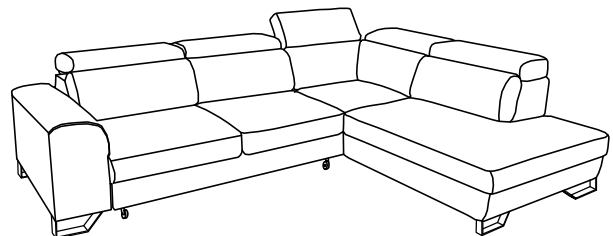


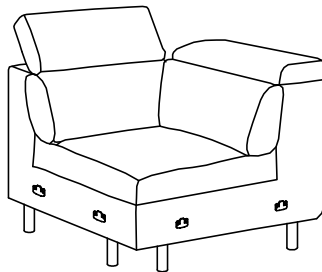
VERSION - L



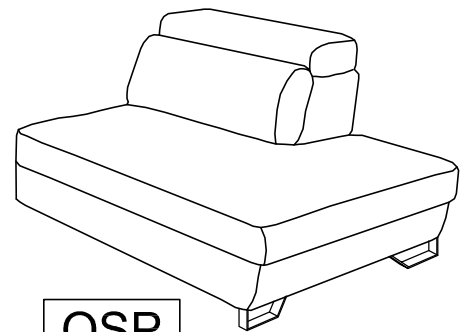
VERSION - R



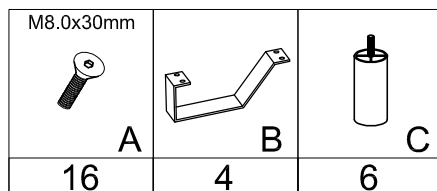
3FBL



R

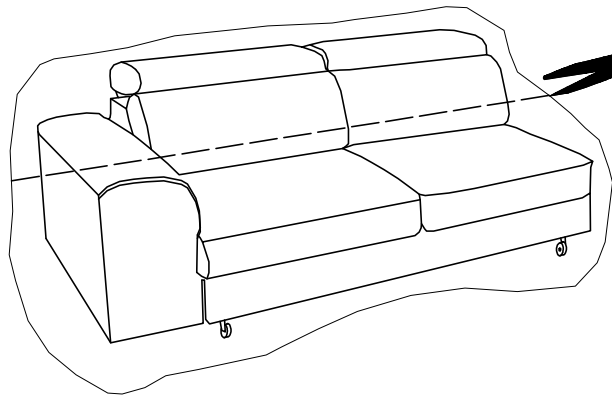


OSP



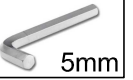
1

3FBL



2

3FBL



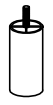
5mm

M8.0x30mm



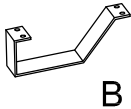
A

8



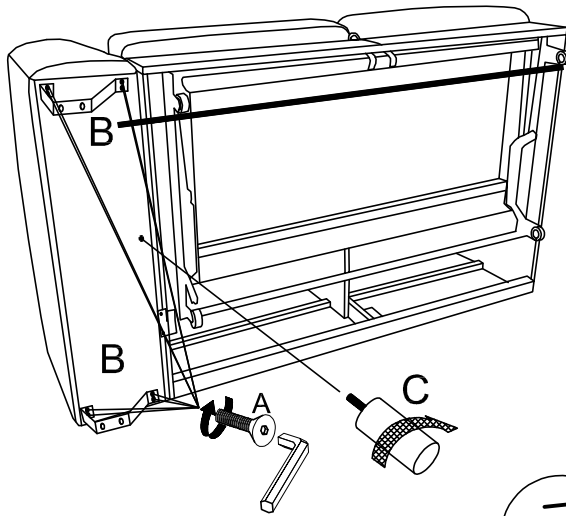
C

1

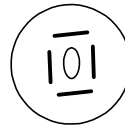


B

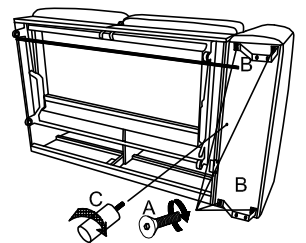
2



90°

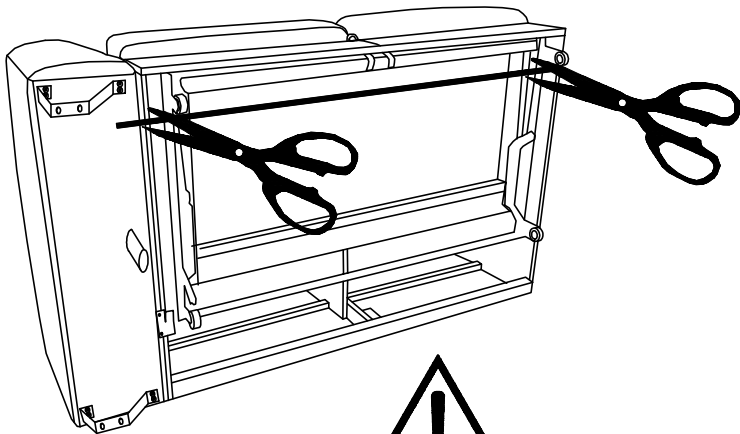


3FBP



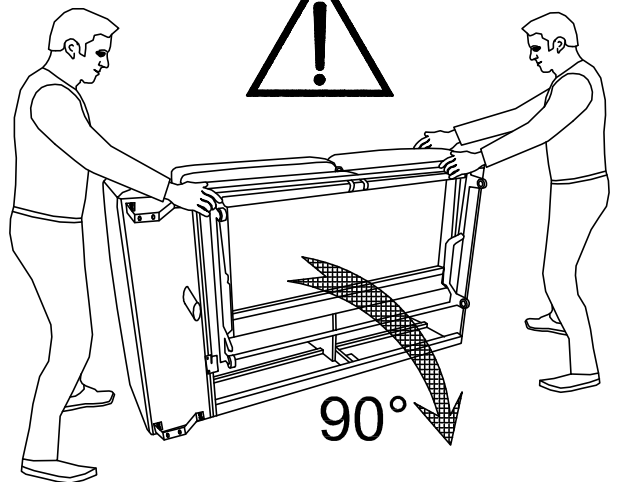
3

3FBL

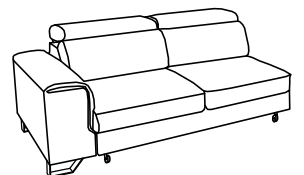


4

3FBL

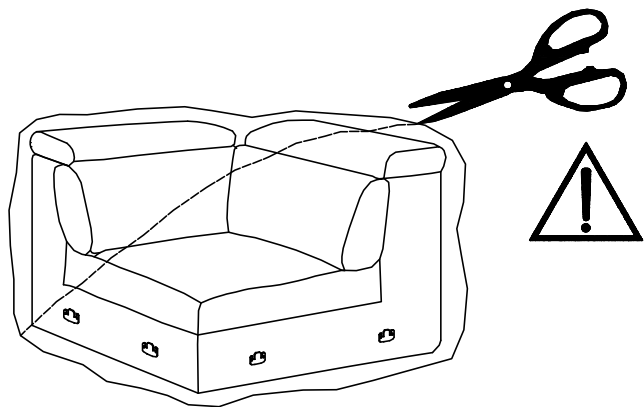


90°



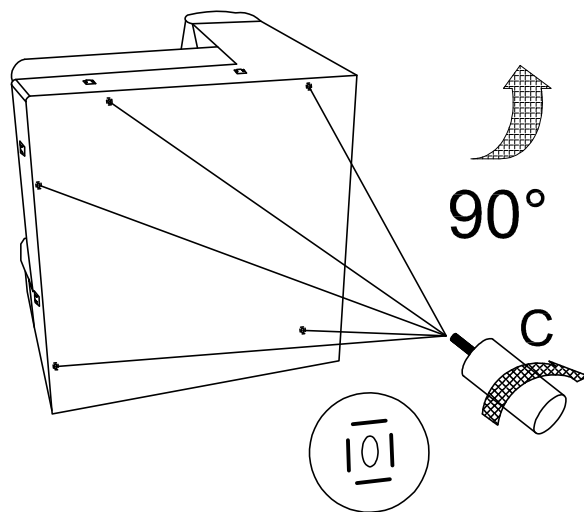
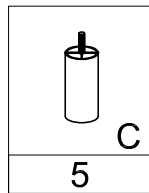
5

R



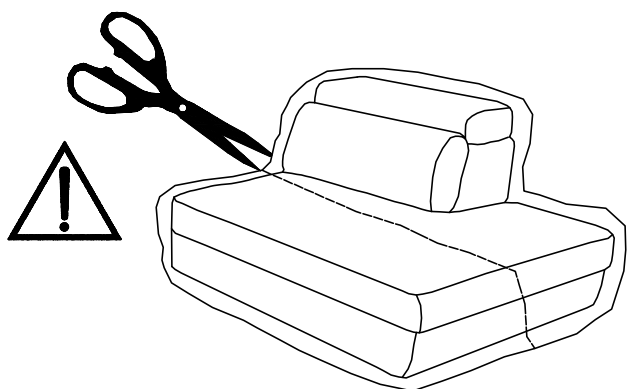
6

R



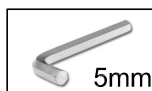
7

OSP



8

OSP



M8.0x30mm



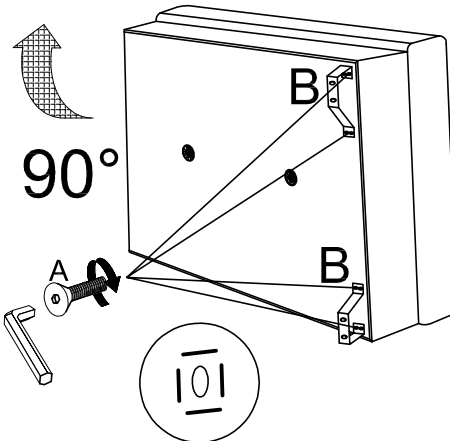
A

8

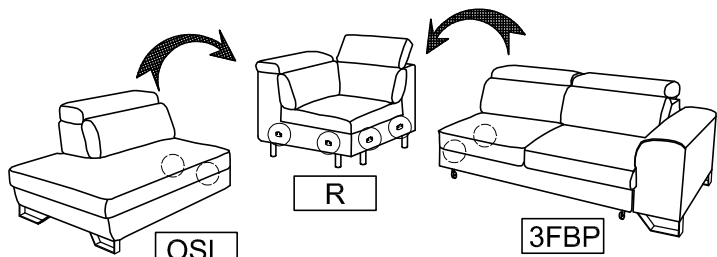
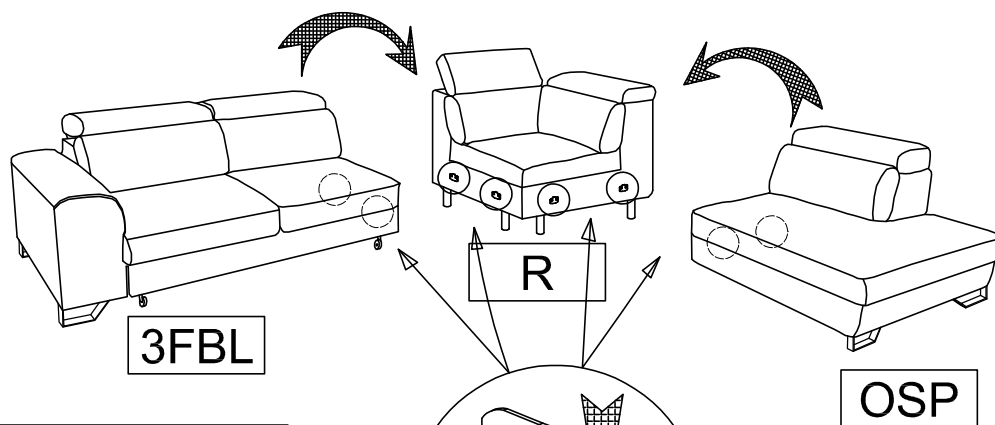


B

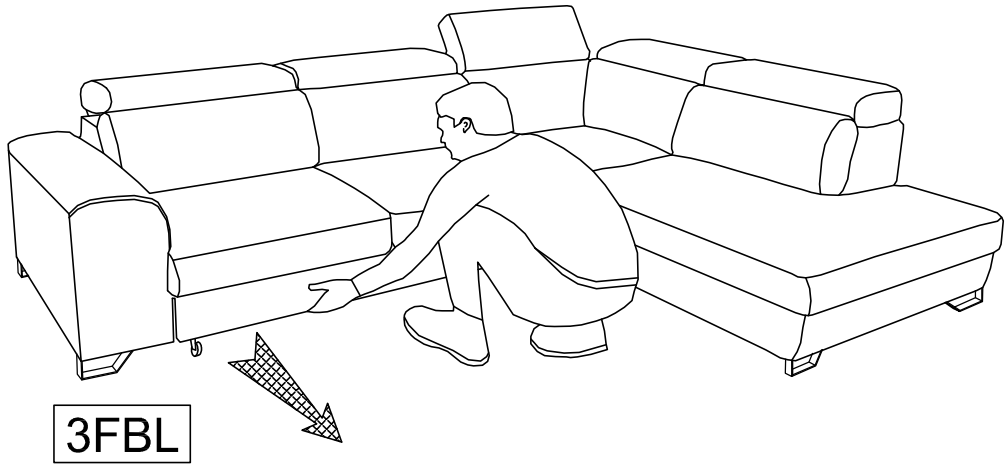
2



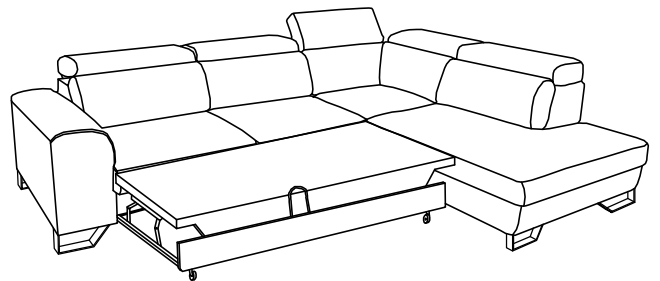
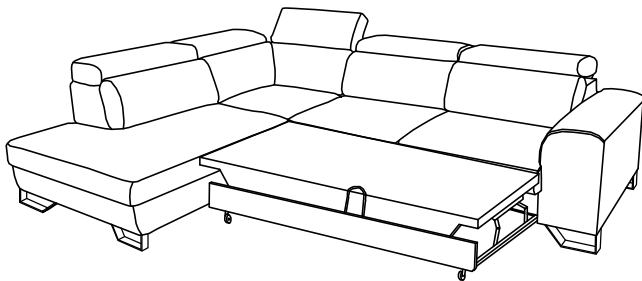
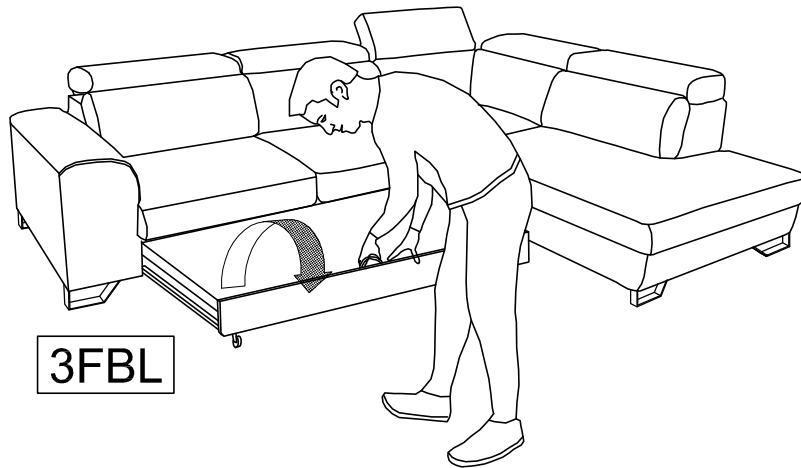
9



10



11



12

