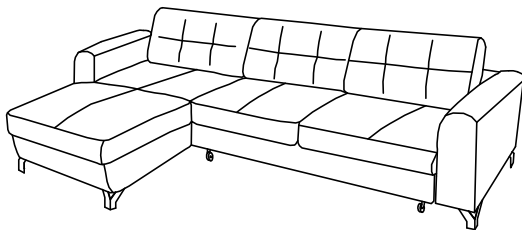
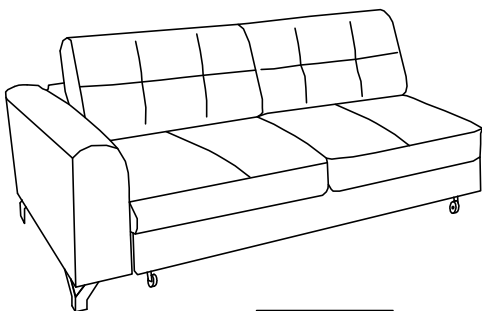
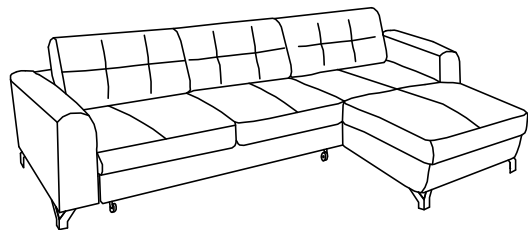


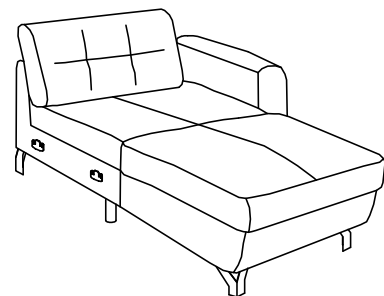
VERSION - L



VERSION - R



3FBL



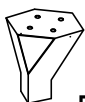
OSBP

M6.0x30mm



A

14



B

7



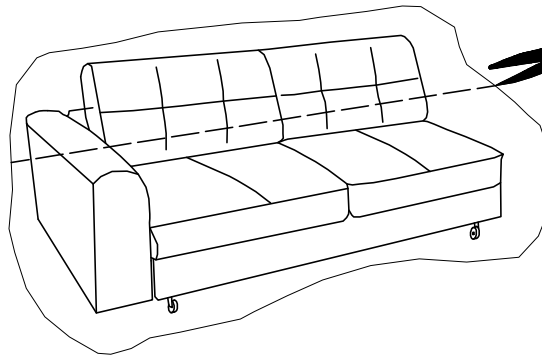
C

1



1

3FBL



2

3FBL

M6.0x30mm

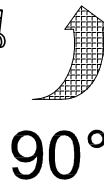
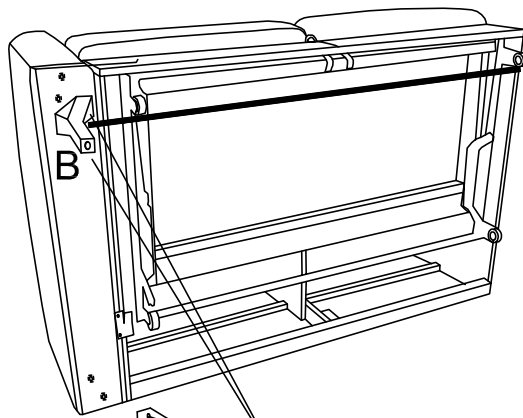
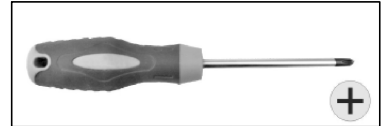


A

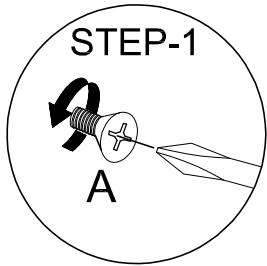
B

4

2

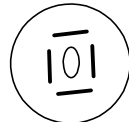


90°

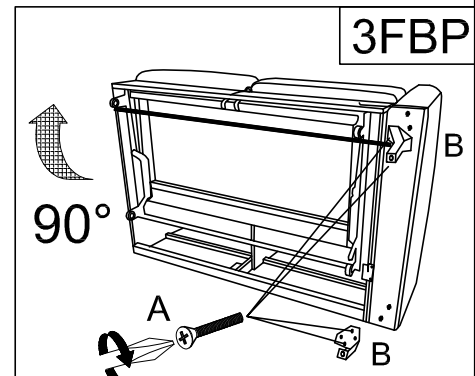


STEP-1

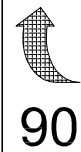
A



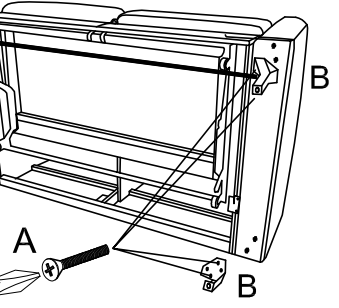
STEP-2



3FBP

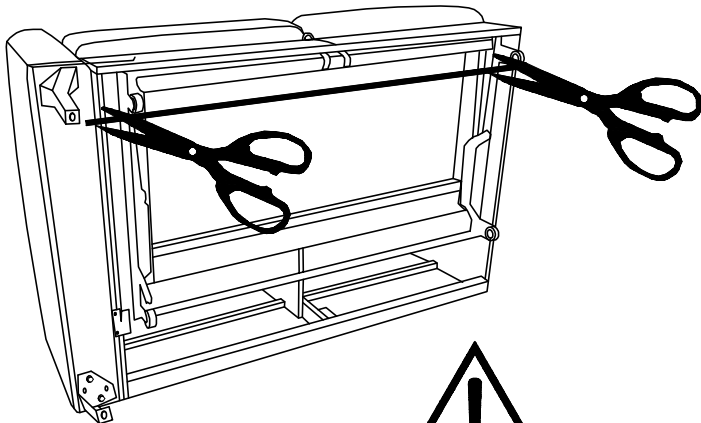


90°



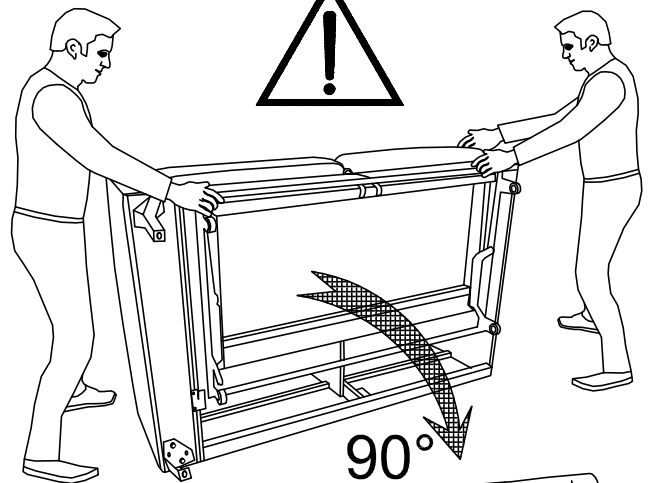
3

3FBL

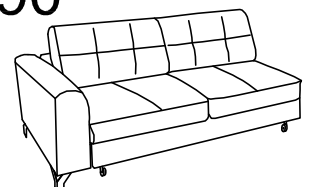


4

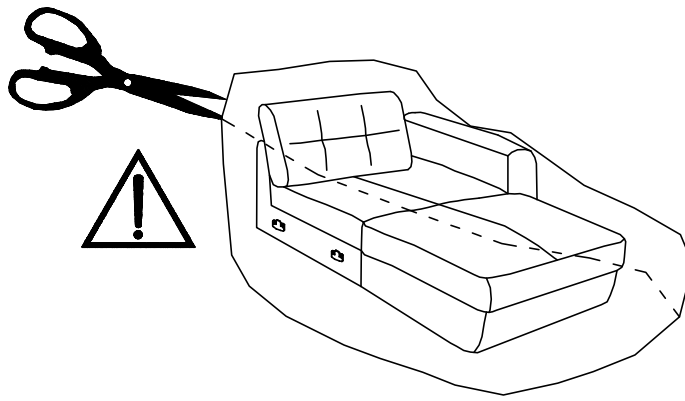
3FBL



90°



5

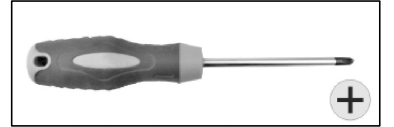





OSBP

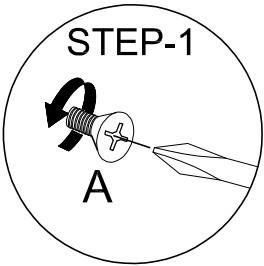
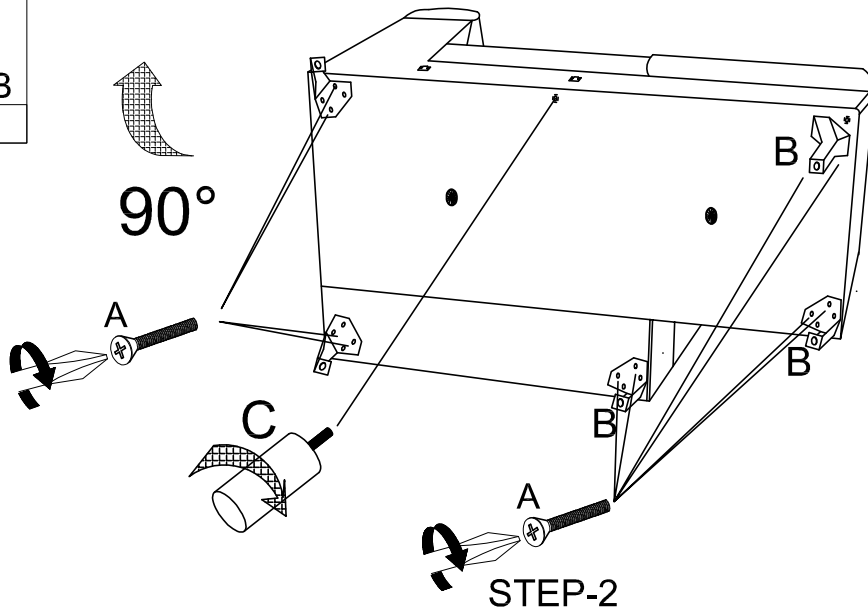


6

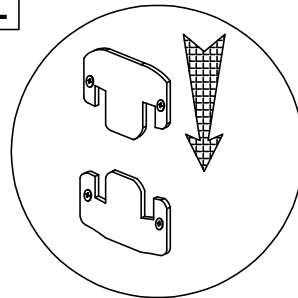
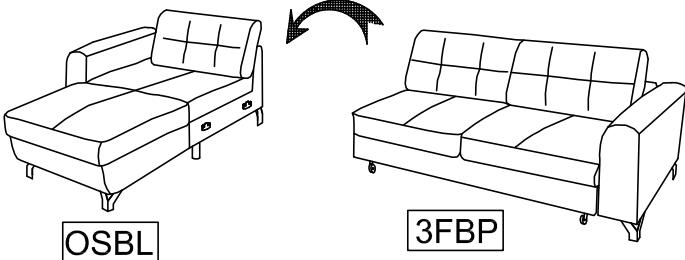
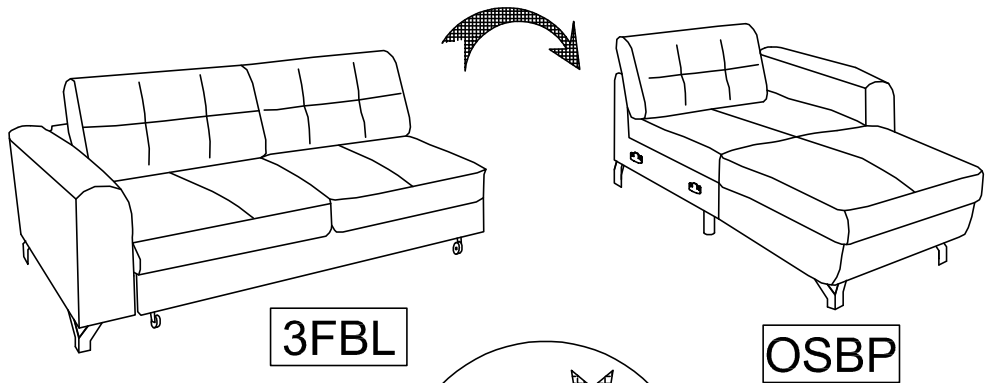
OSBP



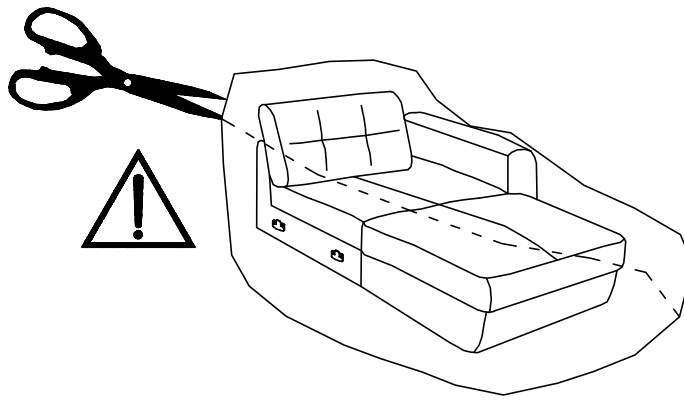
M6.0x30mm	
 A	 B
10	5
 C	
1	



7



5






OSBP

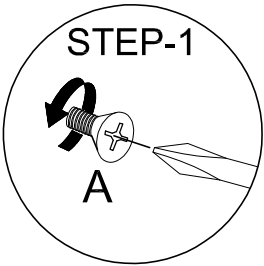
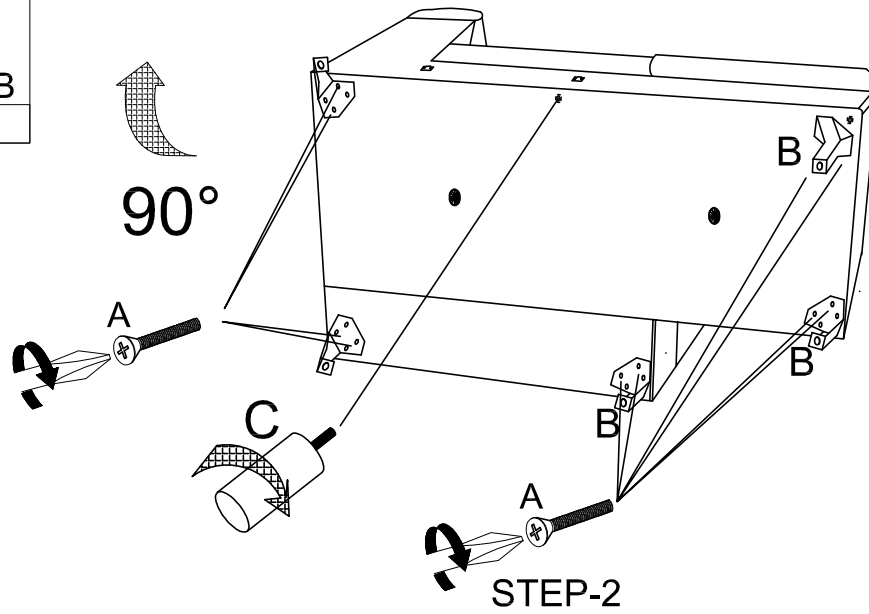


6

OSBP



M6.0x30mm	
 A	 B
10	5
 C	
1	



STEP-2

7

